

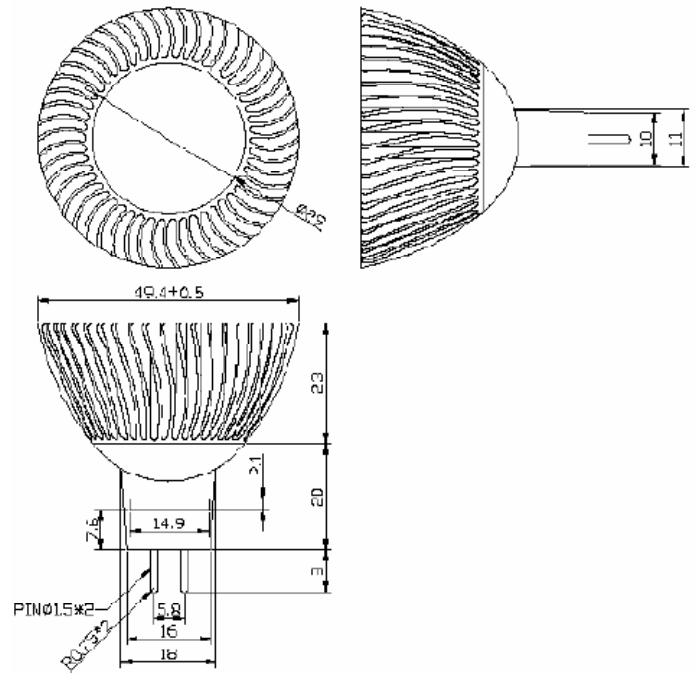


American Opto Plus LED Corp.

AOP-MR16B-3W-X-30

MR16 3Watt LED Bulb

DIMENSION:



American Opto Plus' MR16B-3W is 2ND generation designed heat sink to retrofit into standard MR16 fixtures and housing. Each of the lamp features a single 3 Watt LED with enhanced optics to achieve the highest light intensity. In addition, the aluminum housing makes the heat dissipation.

SELECTION GUIDE

Part Number	Color	Wavelength	Color Temp. (Kelvin)	Light Output (Lumen)	Efficacy (Lm/W)	Angle
MR16-3W-W30	White	-	6000	150	50	30
MR16-3W-WW30	Warm White	-	3200	135	45	30
MR16-3W-E	Red			TBD		
MR16-3W-G	Green			TBD		
MR16-3W-B	Blue			TBD		
MR16-3W-O	Amber			TBD		

Specification Features Physical Dimensions

Version 1.0 Date: 2007-08-20

American Opto Plus LED Corp. 1206 E. Lexington Ave. , Pomona CA 91766 Tel: 909-465-0080 Fax: 909-465-0130 www.aopled.com



American Opto Plus LED Corp.

AOP-MR16B-3W-X-30

MR16 3Watt LED Bulb

Product Descriptions:

Color Range	White, Warm White
Dimensions	W 49.4mm x H51mm
Light Source	3W High Power LED
Housing	Aluminum
Operating Temperature	-40°C to 50°C (-104°F to 122°F)
Starting Temperature	-20°C to 50°C (-68°F to 122°F)
IP Rating	IP 40
LED source life	30, 000 hours
Base	MR16
Accessory	None
Weight	0.045kg

Electrical

Power Input	AC/DC 12V
Current	0.37A