



American Opto Plus LED L-513XT

5mm Dia LED LAMP – COLOR TINTED

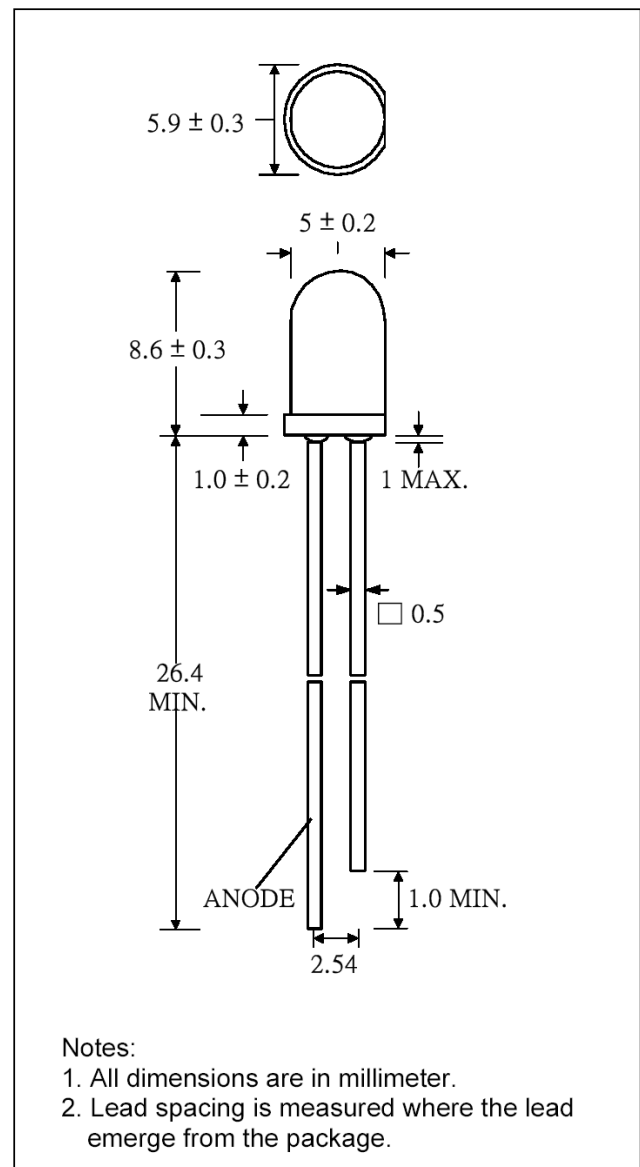
- ◆ 5.0mm DIA LED LAMP
- ◆ POPULAR T-1 3/4, 1" LEAD
- ◆ I.C. COMPATIBLE
- ◆ LOW POWER CONSUMPTION

DESCRIPTION

- Super bright LED Lamp
- Round type
- T1-3/4 (5mm) diameter
- Lens color: Color tinted
- With flange
- Solder leads without stand-off

FEATURES

- Emitted color:
Green, Red, Yellow, Orange
- Low Power Consumption
- Technology: GaP/AlGaAs/AlInGaP
- Dominant Wavelength:
Red 635nm, 700nm
Green 565nm
Yellow 585nm
Orange 610nm
- Viewing angle: 30°





American Opto Plus LED L-513XT

5mm Dia LED LAMP – COLOR TINTED

- ◆ 5.0mm DIA LED LAMP
- ◆ POPULAR T-1 ¼, 1" LEAD
- ◆ I.C. COMPATIBLE
- ◆ LOW POWER CONSUMPTION

SELECTION GUIDE AND APPLICATION INFORMATION (RATINGS AT 25°C AMBIENT)

Part No.	Chip		Lens Color	Wave	Absolute Maximum Ratings					Electro-Optical Characteristics					View
	Raw	Emitted		Length	$\Delta\lambda$	Pd	If	If	Vf(V)			If	Iv (mcd)		Angle
	Material	Color			p(nm)	Nm	mW	mA	(Peak)	Min.	Typ.	Max.	(Rec)	Min.	Typ.
L513GT	GaP	Green	Green tinted	565	30	100	30	160	1.7	2.1	2.8	10-20	10	30	30
L513SGT	Gap	Green	Green tinted	565	30	100	30	160	1.7	2.1	2.8	10-20	60	180	30
L513LGT	Gap	Green	Green tinted	565	30	100	30	160	1.7	2.1	2.8	10-20	250	500	30
L513HT	GaP	Red	Red tinted	700	30	100	30	160	1.7	2.1	2.8	10-20	10	20	30
L513ET	GaAsP/GaP	Hi.effi Red	Red tinted	635	45	100	30	160	1.7	2.0	2.8	10-20	10	30	30
L513ET-E	GaAsP/GaP	Hi.effi Red	Amber tinted	635	45	100	30	160	1.7	2.0	2.8	10-20	10	30	30
L513SET	AlGaInP	S. Bright red	Red tinted	630	20	100	30	160	1.8	2.1	2.8	10-20	60	100	30
L513LET	AlGaInP	S. Bright red	Red tinted	630	20	100	30	160	1.8	2.1	2.8	10-20	100	200	30
L513SRT	GaAlAs	SuperRed	Red tinted	660	20	60	20	160	1.7	1.8	2.1	10-20	500	1000	30
L513LRT	GaAlAs	SuperRed	Red tinted	660	20	60	20	160	1.7	1.8	2.1	10-20	1000	2000	30
L513YT	GaAsP/GaP	Yellow	Yellow tinted	585	30	100	30	160	1.7	2.1	2.8	10-20	10	30	30
L513SYT	GaAsP/GaP	Yellow	Yellow tinted	585	30	100	30	160	1.7	2.1	2.8	10-20	60	150	30
L513LYT	GaAsP/GaP	Yellow	Yellow tinted	585	30	100	30	160	1.7	2.1	2.8	10-20	200	500	30

Tolerance of viewing angle: -10/+5 deg.

ABSOLUTE MAXIMUM RATING: (Ta=25°C)

Reverse Voltage	: 5 Volt
Reverse Current (Vr = 5V)	: 100µA
Operating Temperature Range	: -20°C to +80°C
Storage Temperature Range	: -40°C to +100°C
Lead Soldering Temperature	: 260°C for 5 Seconds
(1.6mm (1/16inch) from body)	

ELECTRO-OPTICAL CHARACTERISTICS: (Ta=25°C)

Parameter Description	Symbol	Unit
Spectral Line half-Width	$\Delta\lambda$	nm
Power Dissipation	Pd	mW
Peak Forward Current (Duty 1/10, @ KHz)	If(Peak)	mA
Recommended Operation Current	If(Rec)	mA
Average Luminous intensity (If = 20mA)	Iv	mcd